

AcuPanel 9104/9104X

Pre-Wired Power & Energy Panel
Meter Datasheet

ACCUEnergy



DESCRIPTION

The AcuPanel 9104/9104X is a convenient, pre-configured meter enclosure that delivers streamlined meter deployment in OEM or retrofit projects. It is ideal for when installation inside an electrical distribution panel is unavailable, in harsh environments to safeguard instrumentation against the elements, or to limit the time and complexity of installation. Each AcuPanel undergoes rigorous quality testing to ensure years of dependable service.

FEATURES

- + Choose from a NEMA 3 rated industrial steel enclosure or NEMA 4X rated polycarbonate enclosure suitable for both indoor and outdoor use
- + The lockable, plug-and-play housing provides protection against unwanted tampering and the elements
- + Clean, factory pre-wiring for fast, reliable installation. All necessary fuses, shorting blocks, & terminal blocks are pre-installed and labeled.
- + Self-powered panel does not require a separate power supply
- + Wires can be run through pluggable, pre-cut holes
- + Simple grounding is included inside each enclosure
- + No control transformer needed
- + Compatible with the Acuim II Series, Acuim IIBN, Acuim L, and EV300 meters

ACUPANEL SPECIFICATIONS

AcuPanel 9104X



AcuPanel 9104



Compatible Meters

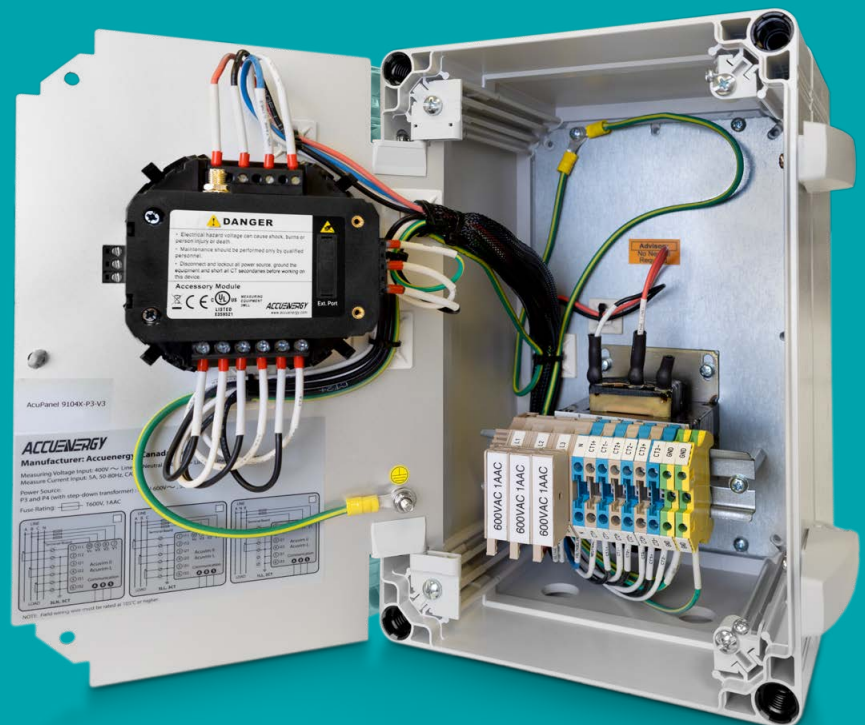


Application	Indoor or outdoor installations that require exceptional environmental protection and weather resistance	Indoor installations that require rugged protection, but not weather resistance
Safety Certifications	UL508A, UL61010-1	UL508A, UL61010-1
NEMA Rating	NEMA 4X	NEMA 3 [†]
Material	Polycarbonate	Steel
Anti-Corrosive	●	
Dust Proof	●	●
Suitable for Indoor Use	●	●
Suitable for Outdoor Use	●	
Pre-Wired	●	●
Pre-Configured	●	●

[†] AcuPanel 9104 is NEMA 3 by default. To increase the rating to NEMA 4, add the 96-IP66 protective cover.

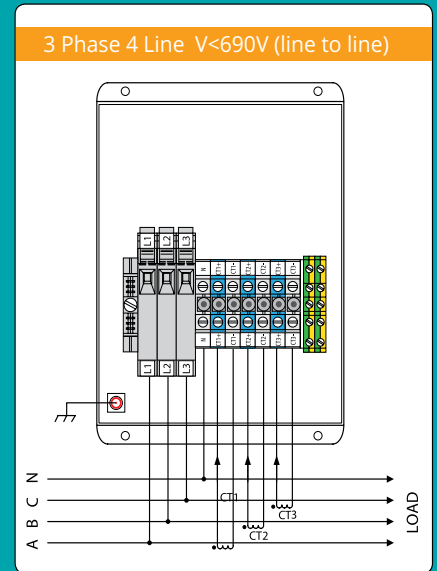
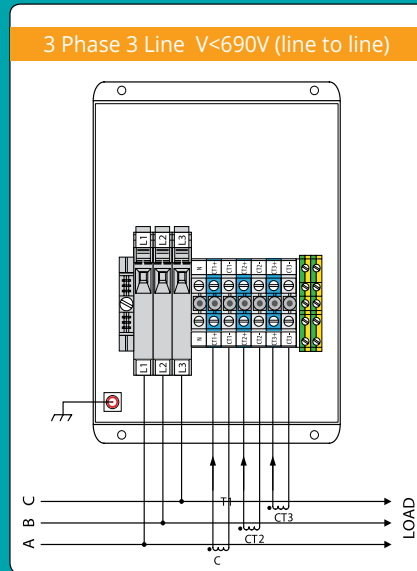
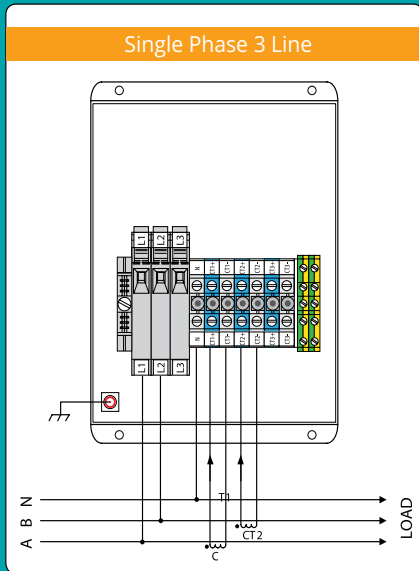
EACH STANDARD, PRE-WIRED ENCLOSURE INCLUDES:

- + Terminal blocks for current transformer input
- + Shorting blocks for current transformers
- + Terminal blocks for voltage inputs
- + Three industrial-grade fuses



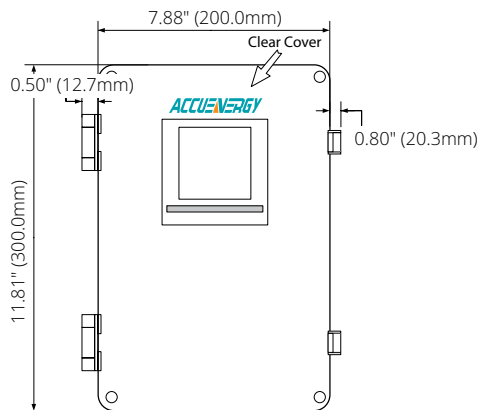
WIRING DIAGRAMS

9104/9104X

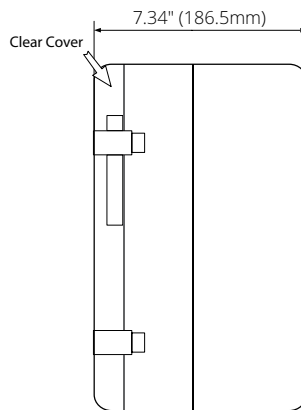


DIMENSIONS

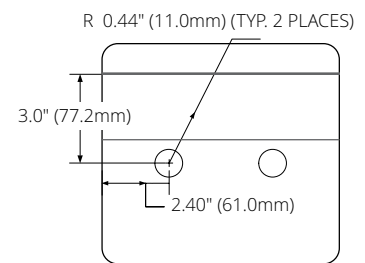
AcuPanel 9104X Waterproof Polycarbonate Panel



Front View

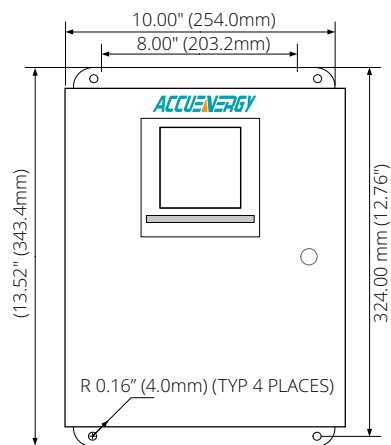


Side View

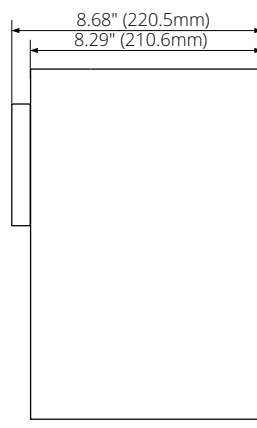


Bottom View

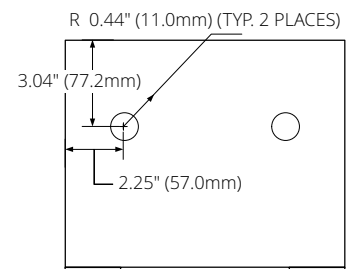
AcuPanel 9104 Steel Panel



Front View



Side View

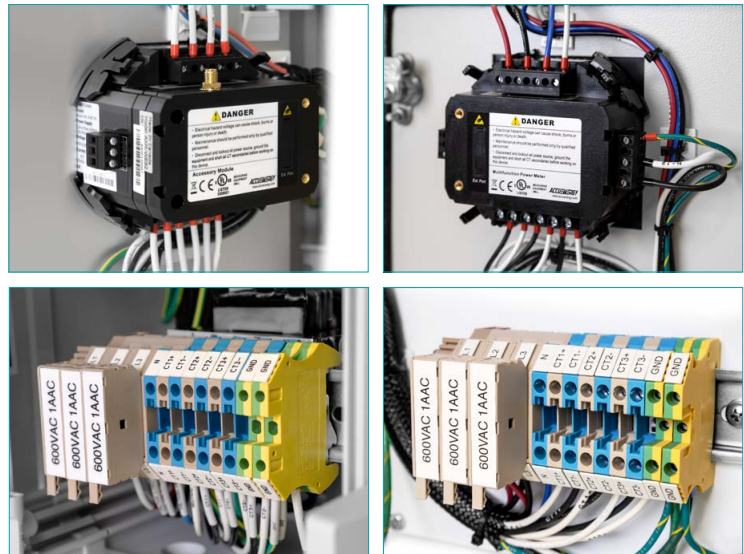


Bottom View

CUSTOM OEM SOLUTIONS

Partner with Accuenergy to design a custom, OEM panel to suit any metering application.

- + Showcase your logo with custom branding
- + Adapt the panel to your application with specialized OEM components such as gateways, cellular modems, or power supplies
- + Suit your space or equipment needs with custom panel dimensions
- + Contact our energy metering specialists to help customize a panel solution for any unique application



ACCESSORIES

Protective Display Cover

The 96-IP66 Protective Display Cover is designed for Acuvim II, Acuvim IIBN, Acuvim L, EV300, or other 96mm by 96mm display panel meters. Crucial in harsh environments, it increases the IP environmental rating of a meter's display to IP66 or NEMA 4X. It can be used with the AcuPanel 9104 to increase environmental rating of the enclosure from NEMA 3 to NEMA 4.



ORDERING INFORMATION

Acuvim II Pre-Wired Panel

Pre-Wired Panel	Meter Model	Current Input	Power Supply	Communication Module Option*	2nd I/O Option*	3rd I/O Option*
AcuPanel 9104: NEMA 4 [†] or NEMA 3 Indoor Steel Panel	IIR: Acuvim II with Data Logging	5A: 5A or 1A (Input Field Selectable)	P1V3: 100~415Vac, 50/60Hz, 100-300Vdc	0: None	0: None	0: None
AcuPanel 9104X: NEMA 4X Indoor / Outdoor Waterproof Polycarbonate Panel	IIW: IIR + Waveform Capture and PQ Event Logging	mV: 333mV Input and Rogowski Coil (Input Field Selectable)	P2V3: 20-60Vdc	WEB2: Modbus-TCP/IP, BACnet-IP, SNMP V3, DNP 3.0 V2, IEC 61850 2nd Edition, SMTP, NTP, HTTP post, HTTPs post, FTP post, sFTP server, HTTPs webserver, dual RJ45, WiFi	IO1: 6DI, 2RO, 1 DI Power Supply	IO1: 6DI, 2RO, 1 DI Power Supply
			P3V3: 480Vac	WEB-PUSH: Modbus-TCP/IP, HTTPs Webserver, HTTP/HTTPs Post, FTP Post, SMTP, SNTP	IO2: 4DI, 2AO, 2DO	IO2: 4DI, 2AO, 2DO
			P4V3: 600Vac	PROFI: PROFIBUS-DP	IO3: 4DI, 2RO, 2AI	IO3: 4DI, 2RO, 2AI
				RS485: Second RS485 Port	IO1: 6DI, 2RO, 1 DI Power Supply	IO2: 4DI, 2AO, 2DO

Ordering Example: **AcuPanel 9104X-IIR-5A-P1V3-WEB2-IO1-IO3**

*No more than 2 of the same I/O modules may be attached to the meter (example: Two AXM-IO2). The same two I/O modules must be a different component number.

[†]AcuPanel 9104 is NEMA 3 by default. To increase the rating to NEMA 4, add the 96-IP66 protective cover.

ORDERING INFORMATION

Acuvim IIBN Pre-Wired Panel

Pre-Wired Panel	Meter Model	Current Input	Power Supply
AcuPanel 9104: NEMA 4 [†] or NEMA 3 Indoor Steel Panel	IIBN: Revenue Grade Multifunction Power Meter with BACnet-IP built-in	5A: 5A or 1A Nominal Current Input	P1: 100-415Vac, 100-300Vdc
AcuPanel 9104X: NEMA 4X Indoor /Outdoor Waterproof Polycarbonate Panel		RCT: Rogowski Coil CT Input	P2: 20-60Vdc
		333mV: 333mV Nominal CT Input	P3: 480Vac
		mA: 80mA, 100mA, or 200mA Nominal CT Input	P4: 600Vac

Ordering Example: **AcuPanel 9104X-IIBN-5A-P1**

[†] AcuPanel 9104 is NEMA 3 by default. To increase the rating to NEMA 4, add the 96-IP66 protective cover.

Acuvim L Pre-Wired Panel

Pre-Wired Panel	Model	Current Input	Power Supply	Module Option*
AcuPanel 9104: NEMA 4 [†] or NEMA 3 Indoor Steel Panel	BL: Power meter with built-in DO, no communication	5A: 5A or 1A Nominal Current Input	P1V3: 100-415Vac, 50-60Hz 100-300Vdc	0: None
AcuPanel 9104X: NEMA 4X Indoor / Outdoor Waterproof Polycarbonate Panel	CL: General Meter	RCT: Rogowski Coil CT Input	P2V3: 20-60Vdc	L-WEB: Modbus-TCP/IP, DNP 3.0 Over IP V2, BACnet-IP, SNMP V3, HTTP/HTTPS post, FTP post, SMTP, NTP, HTTPs webserver; 4GB Datalogging
	EL: CL + TOU and PQ parameters	333mV: 333mV Nominal CT Input	P3V3: 480Vac	L-X1: 4DI+2DO
			P4V3: 600Vac	L-X2: 4DI+2DO+Second RS485
				L-X3: PROFIBUS
				L-X4: 4DI+2DO+PROFIBUS
				L-X5: 4DI+2RO
				L-X6: 4DI+2RO+Second RS485

Ordering Example: **AcuPanel 9104X-EL-5A-P1V3-L-WEB**

*Note: Acuvim-BL does not support additional modules.

[†] AcuPanel 9104 is NEMA 3 by default. To increase the rating to NEMA 4, add the 96-IP66 protective cover.

EV300 Pre-Wired Panel

Pre-Wired Panel	Model	I/O Option	Power Supply	Accessories (Optional)
AcuPanel 9104: NEMA 4 [†] or NEMA 3 Indoor Steel Panel	EV387: V, I, E + Modbus	EO: 2DI	P1: 100-415Vac, 100-300Vdc	IP66/NEMA4X: Environmental Protection Cover
AcuPanel 9104X: NEMA 4X Indoor / Outdoor Waterproof Polycarbonate Panel	EV390: Power Meter + Modbus	E1: 6DI + 2RO + PS	P2: 20-60Vdc	Ordering Example: IP66/NEMA4X
		E2: 6DI + 2DO + PS	P3: 480Vac	
		E3: 6DI + 2DO + 2AO	P4: 600Vac	
		E4: 6DI + 2RO + 2AO		

Ordering Example: **AcuPanel 9104X-EV390-E2-P1**

[†] AcuPanel 9104 is NEMA 3 by default. To increase the rating to NEMA 4, add the 96-IP66 protective cover.



Accuenergy Inc.

Los Angeles - Toronto - Pretoria
 North America Toll Free: 1-877-721-8908
 Web: www.accuenergy.com
 Email: marketing@accuenergy.com

Revision Date: August 2023 Version: 1.0.2
 Specs Subject To Change Without Notice.



ISO9001 Certified