

NPT

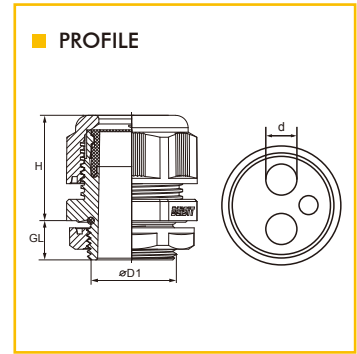
Multiple-entry Nylon Cable Glands-NPT Type



→ NPT CE IP68 RoHS REACH

Material: PA (NYLON), UL 94 V-2
 Seal: EPDM (optional material NBR, Silicone Rubber,TPV)
 O-Ring: EPDM (optional material, Silicone Rubber, TPV,FPM)
 Working temperature: -40°C to 100°C
 Color: Grey(RAL7035), Black(RAL9005), other colors customized.
 Number of holes : Could be customized.
 Material options: V0, or F1 can be offered upon request.

Other material or Colors upon request.
 All O rings are pre-assembled as standard.



Thread ØD1	No. of Holes X d mm	Beisit No.
1/4"NPT	2*2.5	N1/4"-H2-2.5
	2*2.8	N1/4"-H2-2.8
3/8"NPT	2*3	N3/8"-H2-3
	3*3	N3/8"-H3-3
	4*2	N3/8"-H4-2
1/2"NPT	1*5	N1/2"-H1-5
	1*8	N1/2"-H1-8
	2*3	N1/2"-H2-3
	2*5	N1/2"-H2-5
	3*4	N1/2"-H3-4
	4*4	N1/2"-H4-4
	6*2.5	N1/2"-H6-2.5
6*3.2	N1/2"-H6-3.2	
1/2"NPT/E	1*7.5	N1/2"E-H1-7.5
	1*9	N1/2"E-H1-9
	1*10.5	N1/2"E-H1-10.5
	2*6	N1/2"E-H2-6
	2*6.7	N1/2"E-H2-6.7
	1*5.3+1*7.8	N1/2"E-H2-(5.3+7.8)
3/4"NPT	1*6	N3/4"-H1-6
	1*7.5	N3/4"-H1-7.5
	1*10	N3/4"-H1-10
	2*2.8	N3/4"-H2-2.8
	2*4.4	N3/4"-H2-4.4
	2*5.7	N3/4"-H2-5.7
	2*6	N3/4"-H2-6
	2*6.3	N3/4"-H2-6.3
	2*8	N3/4"-H2-8
	3*4.5	N3/4"-H3-4.5
	3*6	N3/4"-H3-6
	3*7	N3/4"-H3-7
	1*5+1*8	N3/4"-H2-(5+8)
	1*5+1*10	N3/4"-H-(5+10)
4*5	N3/4"-H4-5	
4*6	N3/4"-H4-6	
5*4	N3/4"-H5-4	
5*5	N3/4"-H5-5	
5*6	N3/4"-H5-6	
1"NPT	1*5.5	N1"-H1-5.5
	2*4.5	N1"-H2-4.5
	2*6	N1"-H2-6

Thread ØD1	No. of Holes X d mm	Beisit No.
1"NPT	3*5.8	N1"-H3-5.8
	3*8.9	N1"-H3-8.9
	3*10.7	N1"-H3-10.7
	1*6.7+2*10.2	N1"-H3-(6.7+2x10.2)
	1*7.6+2*11.7	N1"-H3-(7.6+2x11.7)
	4*7	N1"-H4-7
	4*8	N1"-H4-8
	2*5+2*8	N1"-H4-(2x5+2x8)
	5*5.4	N1"-H5-5.4
	5*6.5	N1"-H5-6.5
	1*9+4*6	N1"-H5-(9+4x6)
1 1/4"NPT	6*6	N1"-H6-6
	7*6	N1"-H7-6
	1*3.4+6*6.8	N1"-H7-(3.4+6x6.8)
	8*5	N1"-H8-5
	1*5.5	N1 1/4"-H1-5.5
	2*4.5	N1 1/4"-H2-4.5
	2*6	N1 1/4"-H2-6
	3*5.8	N1 1/4"-H3-5.8
	3*8.9	N1 1/4"-H3-8.9
	3*10.7	N1 1/4"-H3-10.7
	1*6.7+2*10.2	N1 1/4"-H3-(6.7+2x10.2)
1*7.6+2*11.7	N1 1/4"-H3-(7.6+2x11.7)	
4*7	N1 1/4"-H4-7	
4*8	N1 1/4"-H4-8	
2*5+2*8	N1 1/4"-H4-(2x5+2x8)	
5*5.4	N1 1/4"-H5-5.4	
5*6.5	N1 1/4"-H5-6.5	
1*9+4*6	N1 1/4"-H5-(9+4x6)	
6*6	N1 1/4"-H6-6	
7*6	N1 1/4"-H7-6	
1*3.4+6*6.8	N1 1/4"-H7-(3.4+6x6.8)	
8*5	N1 1/4"-H8-5	
1 1/4"NPT	3*9	N1 1/4"-H3-9
	4*10	N1 1/4"-H4-10
	8*6	N1 1/4"-H8-6
1 1/2"NPT	9*8	N1 1/2"-H9-8
	25*5	N1 1/2"-H25-5
2"NPT	3*6.5	N2"-H3-6.5